



03879E00

The enclosure Series ConSig 8040 makes it possible to assemble different control units in a clear layout.

Due to the fact that a wide range of control devices is available this enclosure covers a broad field of applications.

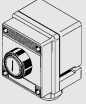


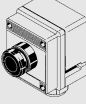


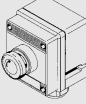

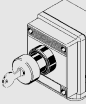


STAHL

**Control Unit System
Series ConSig 8040
Equipped with
Contact Block 8208**

- Explosion protection to
 - CENELEC
 - IEC
 - NEC
- Can be used in
 - Zone 1 and Zone 2
 - Zone 21 and Zone 22
- Enclosures
 - 3 sizes available
 - enclosures in glass fibre reinforced polyester resin
- Contact blocks
 - available in forms
 - 1 NO and 1 NC
 - 2 NC
 - 2 NO
 - all NC contacts spring loaded with positive drive
 - all versions with gold-contacts
 - can be used for safety instrumented functions up to SIL 2 and SIL 3 to IEC/EN 61508
 - all versions with internal resistors for open-circuit and short-circuit detection
- Actuators in 6 different forms
 - pushbutton
 - mushroom button
 - selector switch with rotary actuator (2 switching positions)
 - mushroom stay-put button with key lock
 - mushroom stay-put button

Zones 1 & 2, 21 & 22



Selection table					
Version			Ordering code	Weight kg	
Pushbutton  <small>05728E00</small>		green	 <small>09240E00</small>	8040/1180.001+0/rt/l/gn-... + Add. to ordering code	0,370
		red	 <small>09240E00</small>		
Mushroom button  <small>05506E00</small>	∅ 38 mm	green	 <small>09240E00</small>	8040/1180.003+l/sw-... + Add. to ordering code	0,400
		red	 <small>09240E00</small>		
Mushroom stayput  <small>05511E00</small>	∅ 38 mm EM-STOP	black	 <small>09240E00</small>	8040/1180.010-... + Add. to ordering code	0,400
		∅ 55 mm EM-STOP	red		
Mushroom stayput key release  <small>05510E00</small>	∅ 38 mm red EM-STOP	red	 <small>05600E00</small>	8040/1180.009-... + Add. to ordering code	0,450
Selector switch  <small>05729E00</small>	2 switching positions			8040/1180.726+2r-... + Add. to ordering code	0,420
Add. to ordering code					
Contact block Series 8208	with open-circuit and short-circuit detection	1 NO / 1 NC, spring loaded with positive drive	8208/24-15-0001	0,100	
		2 NC, spring loaded with positive drive	8208/24-15-0002	0,100	
		2 NO	8208/24-15-0003	0,100	
Note	The contact blocks 8208 are also suitable for enclosures 8040 size 2 and 3				

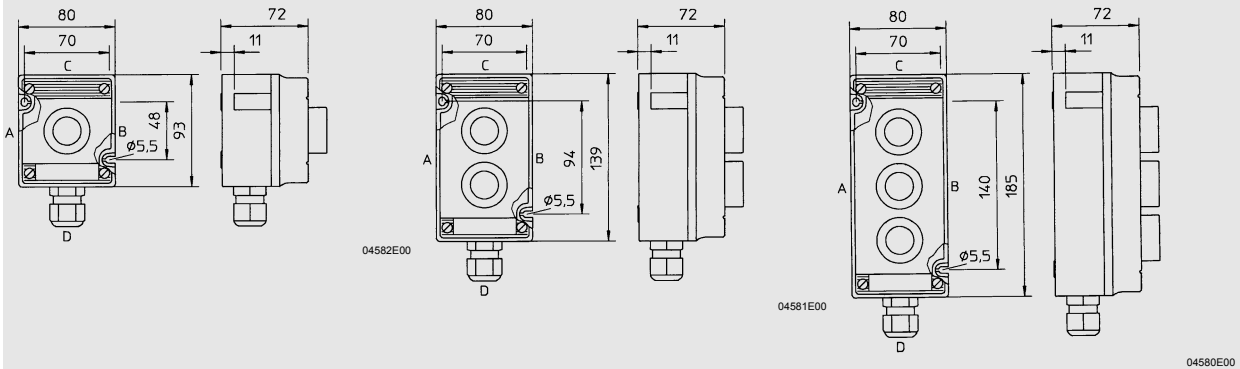
Technical Data - Control Unit System 8040

Explosion protection	
Gas explosion protection	⊕ II 2 G EEx edmq ia / ib [ia / ib] IIC T6
Dust explosion protection	⊕ II 2 D IP 66 T80 °C, T95 °C
Certificates	
Gas explosion protection	PTB 01 ATEX 1105
Dust explosion protection	LCIE 02 ATEX 6238
Other certificates	SIMTARS (Australia), CSA (Canada), UL (USA), VNIIEF (Russia), UL do Brasil (Brazil)
Rated voltage	max. 690 V, AC
Rated working current	dependent on components used
Ambient temperature	- 20 °C ... + 40 °C - 50 °C ... + 60 °C on request
Cable entries	Standard: 1 x M 25 x 1.5; cable gland 8161; side below (D); directly mounted into enclosure wall Special: in side C (top) and/or side D (below); 1 x M 20 x 1.5; 1 x M 25 x 1.5; metal cable glands are possible; mounting of metal cable glands in metal flange or via metal adapter plate
Flanges	In standard design the enclosures are without flanges; On request they can be fitted with flanges on sides C and D. Flanges are available in: polyester resin or in brass, powder-coated, dark grey similar to RAL 7024
Degree of protection	IP 66
Material	
Housing	Polyester resin (glass fibre-reinforced)
Gaskets	PU foam
Cover fixing	M 4, cheese head screws, imprescriptible, stainless steel

Technical Data - Contact Block 8208

Explosion protection	⊕ II 2 G EEx de IIC T6
Certificates	PTB 01 ATEX 1066 U
Contact block	
Rated working current I_e	switching of low power signals: 2 mA DC ... 20 mA DC
Rated operational voltage U_e	switching of low power signals: 8 V DC ... 30 V DC
Contact resistance	typical 10 mΩ
Contact material	Gold
Resistors	
Rating	max. 0,5 W
Ambient temperature	- 20 °C ... + 40 °C
Enclosure material	Polyamide
Flexible lead	2 x 2,5 mm ² flexible lead (screw terminals)

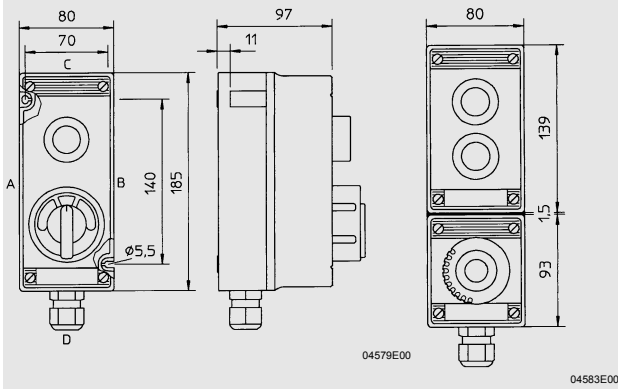
Dimension drawings (all dimensions in mm) - subject to alterations



ConSig 8040/11

ConSig 8040/12

ConSig 8040/13



ConSig 8040/23

ConSig 8040/11
and
ConSig 8040/12
combination

	a [mm]	
	min.	max.
M 20	25	31
M 25	27	33

Additional dimensions for cable glands Series 8161

Flange	b [mm]
Brass	16
Plastic	16

Additional dimensions for flanges

We reserve the right to make alterations to the technical data, weights, dimensions, designs and products available without notice. The illustrations cannot be considered binding.

