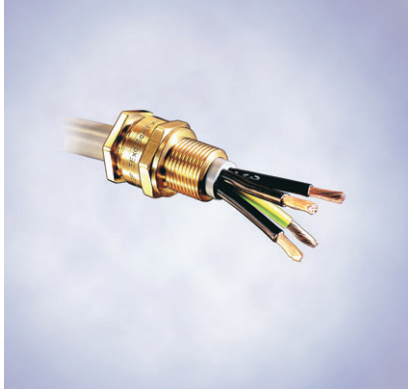


## Installation Material and Accessories

### Cable Glands EEx d and EEx e for Unarmoured Cables

#### Series 8163/1-A2F

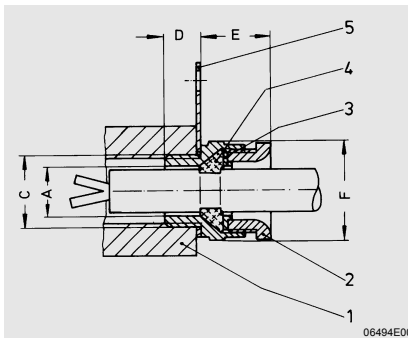


01879E00

#### Cable Glands EEx d and EEx e for Unarmoured Cables

##### Series 8163/1-A2F

- Suitable for use with normal unarmoured offshore and onshore cables
- For use in
  - Zone 1 and Zone 2
  - Zone 21 and Zone 22
- Displacement Seal on the cable outer sheath
- Available in size range M 16 to M 130
- Alternative thread forms available on request



06494E00

1. Associated enclosure wall
2. Compression nut
3. Skid washer
4. Inner neoprene seal
5. Earth tag, if required

#### Selection table

Gland size	Entry thread C	Dimensions [mm]			D	E	F	PVC- shroud	Ordering code	Weight kg
		Cable diameter								
		min.	max.							
20/16	M 20 x 1.5	3.1	8.7	15	23.3	24.4	HV 02	<b>8163/1-20/16-A2F-M20</b>	0,070	
20s	M 20 x 1.5	6.1	11.7	15	20.5	26.5	HV 04	<b>8163/1-20s-A2F-M20</b>	0,059	
20	M 20 x 1.5	6.5	14.0	15	20.8	30.0	HV 05	<b>8163/1-20-A2F-M20</b>	0,065	
25	M 25 x 1.5	11.1	20.0	15	27.7	39.9	HV 09	<b>8163/1-25-A2F-M25</b>	0,151	
32	M 32 x 1.5	17.0	26.3	15	27.5	45.5	HV 10	<b>8163/1-32-A2F-M32</b>	0,142	
40	M 40 x 1.5	23.5	32.2	15	28.5	55.4	HV 13	<b>8163/1-40-A2F-M40</b>	0,184	
50s	M 50 x 1.5	31.0	38.2	15	28.0	61.0	HV 14	<b>8163/1-50s-A2F-M50</b>	0,243	
50	M 50 x 1.5	35.6	44.1	15	30.8	66.5	HV 17	<b>8163/1-50-A2F-M50</b>	0,248	
63s	M 63 x 1.5	41.5	50.0	15	30.5	77.6	HV 20	<b>8163/1-63s-A2F-M63</b>	0,373	
63	M 63 x 1.5	47.2	56.0	15	29.6	83.2	HV 22	<b>8163/1-63-A2F-M63</b>	0,350	
75s	M 75 x 1.5	54.0	62.0	15	26.9	88.7	HV 24	<b>8163/1-75s-A2F-M75</b>	0,448	
75	M 75 x 1.5	61.1	68.0	15	29.6	94.2	HV 26	<b>8163/1-75-A2F-M75</b>	0,407	

Note Other sizes available on request.

#### Technical Data

Explosion protection	⊕ II 2 GD EEx d IIC / EEx e II
Certificates	SIRA 06 ATEX 1047 X
Degree of protection	IP 66, IP 67 & IP 68 (10 m depth)
Design Specification	BS 6121, EN 50262
Ambient temperature	- 60 °C ... + 130 °C
Material	
Cable gland	Brass
Gaskets	SOLO LSF

We reserve the right to make alterations to the technical data, weights, dimensions, designs and products available without notice. The illustrations cannot be considered binding.